

Hyper Technology Family of Products

- **Hyper Lite**
 - The next generation ESM workhorse
- **Hyper Wide**
 - Increased swept bandwidth
- **Hyper Fast**
 - Increased sweep speed
- **Hyper Scout**
 - Manpack version of Hyper Lite
- **Hyper Notch**
 - Adds adaptive spatial null steering
- **Alvin**
 - Extends Hyper Lite capability to HF
- **Hyper Lite “Carry-on”**
 - Hyper Lite in a briefcase
- **Hyper Trac**
 - Adds conventional signal recognition and copy

BAE SYSTEMS

HYPER LITE



Next Generation ESM System

Hyper Lite is our next generation ESM/DF workhorse, evolving from the operationally successful SPUD Lite II.

Hyper Lite is a compact, light weight, low power system providing:

- Threat warning and situational awareness
- Emitter location
- Complex signal recognition and data collection
- Signal demodulation and copy

Hyper Lite works effectively with the most modern VHF/UHF combat net radios and can be deployed in airborne, shipboard, and ground tactical environments.

Features and Capabilities

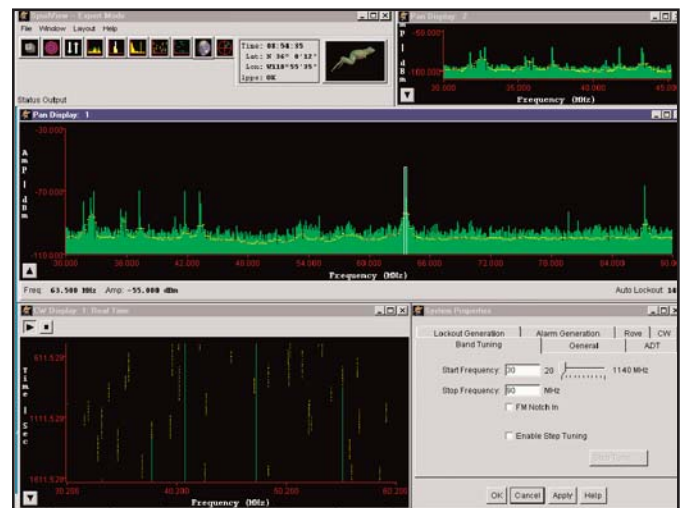
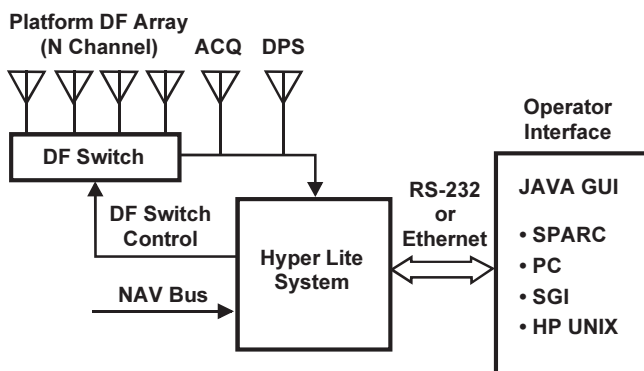
- Compressive receiver provides 60 MHz of instantaneous bandwidth for detection of modern complex signals
- Frequency range: 20-1200 MHz with 25 kHz channelization
- Digital alarm processing hardware supports 48,000 frequency bins
- Two narrow band digital drop receivers with 32-bit DSP processors.
- DF accuracy 1-5° (nominal)
- Reconfigurable internal PC-104 stack supports custom processing requirements

Minimum Installation and Training Required

Straightforward connections and a standard Ethernet interface make Hyper Lite easy to install. Hyper Lite operates with a variety of antennas from simple Adcocks to complex multi-octave DF arrays.

Hyper Lite's Java-based graphical user interface (GUI) runs on most standard workstations (e.g., IBM compatible PCs, Sun SPARCs, SGC workstations) and software operating systems (e.g., Win9x, NT, Unix). The GUI provides context-sensitive help links into the online Operator's Manual reducing operator training time. Real-time playback of mission data provides realistic training scenarios in a controlled environment.

Ease of installation coupled with an intuitive user interface makes field deployments of Hyper Lite quick and effective.



System Specifications

- JAVA-based operator GUI
- Built-in-test/auto calibration
- Built-in GPS or platform navigation data inputs
- Weight: 50 lbs.
- Volume: 1.1 cubic ft
- Power consumption: 225 Watts
- Operating temperature range: 0-50°
- Operating altitude: 0-30,000 ft
- Ethernet, RS-232 interface

ISO 9001 Registered

For further information, contact:

Information & Electronic Warfare Systems

P. O. Box 868, PTP01-2228

Nashua, NH 03061-0868

Tel: (603) 885-5400

Fax: (603) 885-7538

Cleared for open publication 2/00

© 2000 BAE SYSTEMS Information & Electronic Systems Integration, Inc.

PUBS-00-G18-Q-001